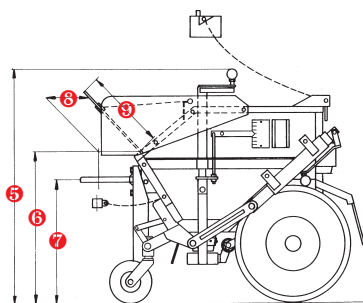
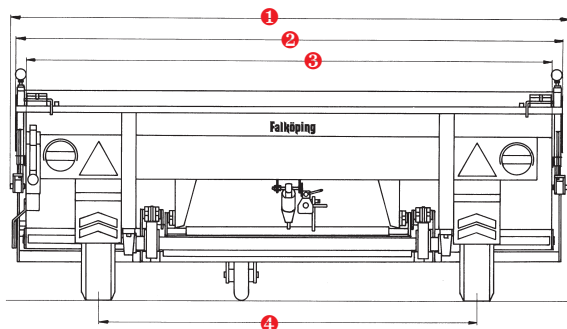


TRUCK SPREADER



Technical spec LB-1000 LB-1000B LB-1000S LB-1000LÅG

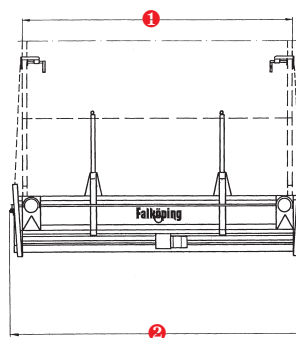
| | | | | |
|--------------------------|------------------------|---------|---------|---------|
| Volume, m ³ | 1.0 | 1.0 | 1.0 | 1.0 |
| Weight, kg | 525 | 535 | 515 | 515 |
| Dimensions, mm | ① 2650 | 2750 | 2500 | 2650 |
| | ② 2600 | 2700 | 2500 | 2600 |
| | ③ 2500 | 2600 | 2350 | 2500 |
| | ④ 1790 | 1790 | 1790 | 1790 |
| | ⑤ 1090 | 1090 | 1090 | 1090 |
| | ⑥ 720 | 720 | 720 | 640 |
| | ⑦ 600-900 | 600-900 | 600-900 | 550 |
| | ⑧ 200-400 | 200-400 | 200-400 | 200-400 |
| | ⑨ 400 | 400 | 400 | 400 |
| Bed width, m | 2.5 | 2.6 | 2.5 | 2.5 |
| Spreading width, m | 2.6 | 2.7 | 2.4 | 2.6 |
| Spreading quantity | sand, g/m ² | 80-400 | 80-400 | 80-400 |
| | salt, g/m ² | 5-30 | 5-30 | 5-30 |
| Spreading speed, max kph | 40 | 40 | 40 | 40 |
| Transportspeed, max kph | 70 | 70 | 70 | 70 |

Wheels: 6.00x9, 12 ply, High speed
 Exterior finish: Zinc metallised, primer and 2-component top coat
 Optional equipment: On/off cab control - electrical, hydraulic or compressed air, Agitator, Electrically heated outfeed table, Steel-belt tires, Cover, Capacity expansion frame, Hydraulic lifting cylinders, Remote quantity control



Technical spec B-2H B-2HS

| | | |
|------------------------|---------|---------------------------|
| Volume, m ³ | 0.2 | 0.2 |
| Weight, kg | 175 | 175 |
| Dimensions, mm | ① 2500 | Manufactured in any width |
| | ② 2650 | between 2.1-2.6 m |
| | ③ 350 | 350 |
| | ④ 430 | 430 |
| Bed width, m | 2.5 | 2.1-2.6 |
| Spreading width, m | 2,1-2,6 | 2.1-2.6 |



Exterior finish: Zinc metallised, primer and 2-component top coat
 Optional equipment: Electrically heated outfeed table

