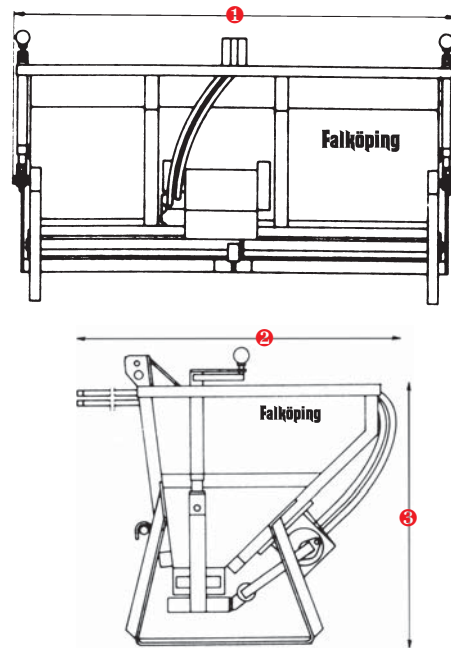


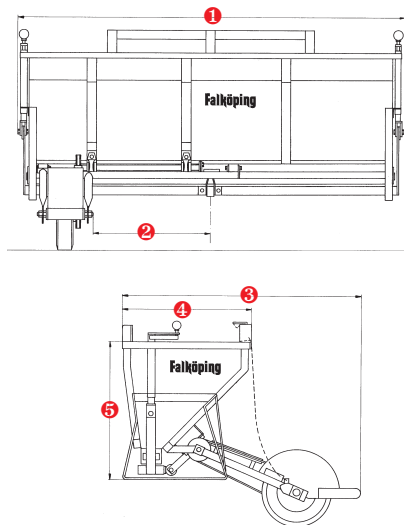
R-SPREADER

Technical spec	R-7H	R-5H	R-3H
Volume, m ³	0.7	0.5	0.3
Weight, kg	270	225	175
Dimensions, mm	① 2130	1630	1130
	② 850	850	690
	③ 900	900	900
Range, km			
sand	3	3	3
- salt	30	30	30
Spreading width, m	2.0	1.5	1.0
Hydraulic flow, l/min	20-40	20-40	10-20
Hydraulic pressure, bar	210	210	210

Exterior finish: Zinc metallised, primer and 2-component top coat
 Optional equipment: Electrically heated outfeed table, Agitator

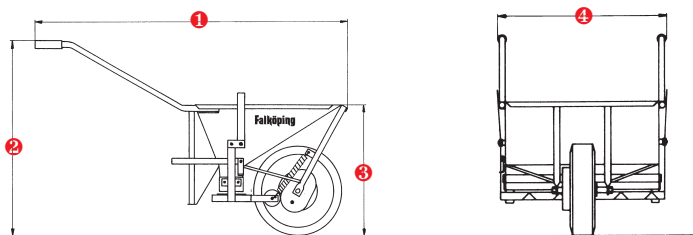


FORKLIFT TRUCK SPREADER



Technical spec	H-7	H-5
Volume, m ³	0.7	0.5
Weight, kg	270	225
Dimensions, mm	① 2130	1630
	② 650	520
	③ 1400	1400
	④ 760	760
	⑤ 900	900
Range, km		
- sand	3	3
- salt	30	30
Spreading width, m	2.0	1.5
Spreading quantity		
sand, g/m ²	80-400	80-400
salt, g/m ²	5-30	5-30
Spreading speed, max kph	20	20
Wheels:	4.00x8, solid	
Exterior finish:	Zinc metallised, primer and 2-component top coat	
Optional equipment:	Agitator	

MANUAL SPREADER



Wheels: 4.00x6, 4 ply,
 Exterior finish: Primer and 2-component top coat

Technical spec	K-60
Volume, l	60
Weight, kg	31
Dimensions, mm	① 1270
	② 790
	③ 530
	④ 670
Range, km	
- sand	1
- salt	4
Spreading width, m	0.6
Spreading quantity	
sand, g/m ²	80-400
salt, g/m ²	10-30